

A417 Missing Link
TR010056

2.6a General Arrangement Plans
(Rev 2)

Planning Act 2008

APFP Regulation 5(2)(o)
Infrastructure Planning (Applications: Prescribed Forms and
Procedure) Regulations 2009

Volume 2

February 2022

Infrastructure Planning

Planning Act 2008

**The Infrastructure Planning
(Applications: Prescribed Forms
and Procedure) Regulations 2009**

A417 Missing Link

Development Consent Order 202[x]

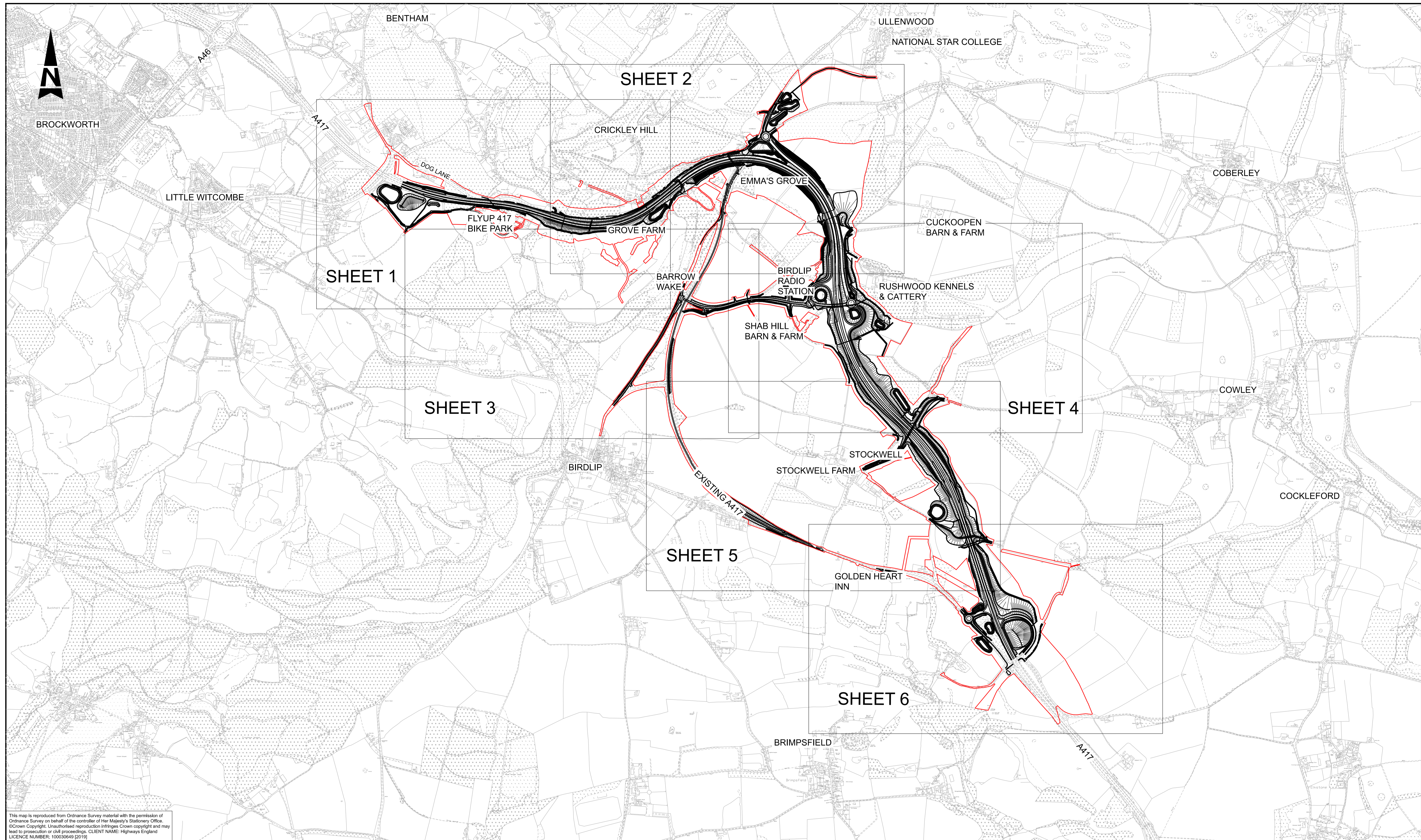
2.6a General Arrangement Plans

Regulation Number:	5(2)(o)
Planning Inspectorate Scheme Reference	TR010056
Application Document Reference	2.6a
Author	A417 Missing Link

Version	Date	Status of Version
C01	May 2021	Application Submission
C02	October 2021	Procedural Deadline A
C03	February 2022	Deadline 4

Contents

1. General Arrangement APFP Regulations 5(2)(o) Key plan (C03)
2. General Arrangement Plans APFP Regulations 5(2)(o) - Sheet 1 of 6 (C02)
3. General Arrangement Plans APFP Regulations 5(2)(o) - Sheet 2 of 6 (C02)
4. General Arrangement Plans APFP Regulations 5(2)(o) - Sheet 2 of 6 (C01)
5. General Arrangement Plans APFP Regulations 5(2)(o) - Sheet 4 of 6 (C01)
6. General Arrangement Plans APFP Regulations 5(2)(o) - Sheet 5 of 6 (C01)
7. General Arrangement Plans APFP Regulations 5(2)(o) - Sheet 6 of 6 (C01)



This map is reproduced from Ordnance Survey material with the permission of Ordnance Survey on behalf of the controller of Her Majesty's Stationery Office. © Crown Copyright. Unauthorised reproduction infringes Crown copyright and may lead to prosecution or civil proceedings. CLIENT NAME: Highways England LICENCE NUMBER: 100030649 (2019)

NOTES
1. ALL DIMENSIONS ARE IN METRES UNLESS NOTED OTHERWISE.



LEGEND
— DEVELOPMENT CONSENT ORDER BOUNDARY

Rev.	Date	Description	By	Chk'd	App'd	Auth'd
C03	10/02/22	DEADLINE 4 ISSUE TO PINS	ES	DA	DB	JP

Suitability Drawing Status
A4 STAGE COMPLETED

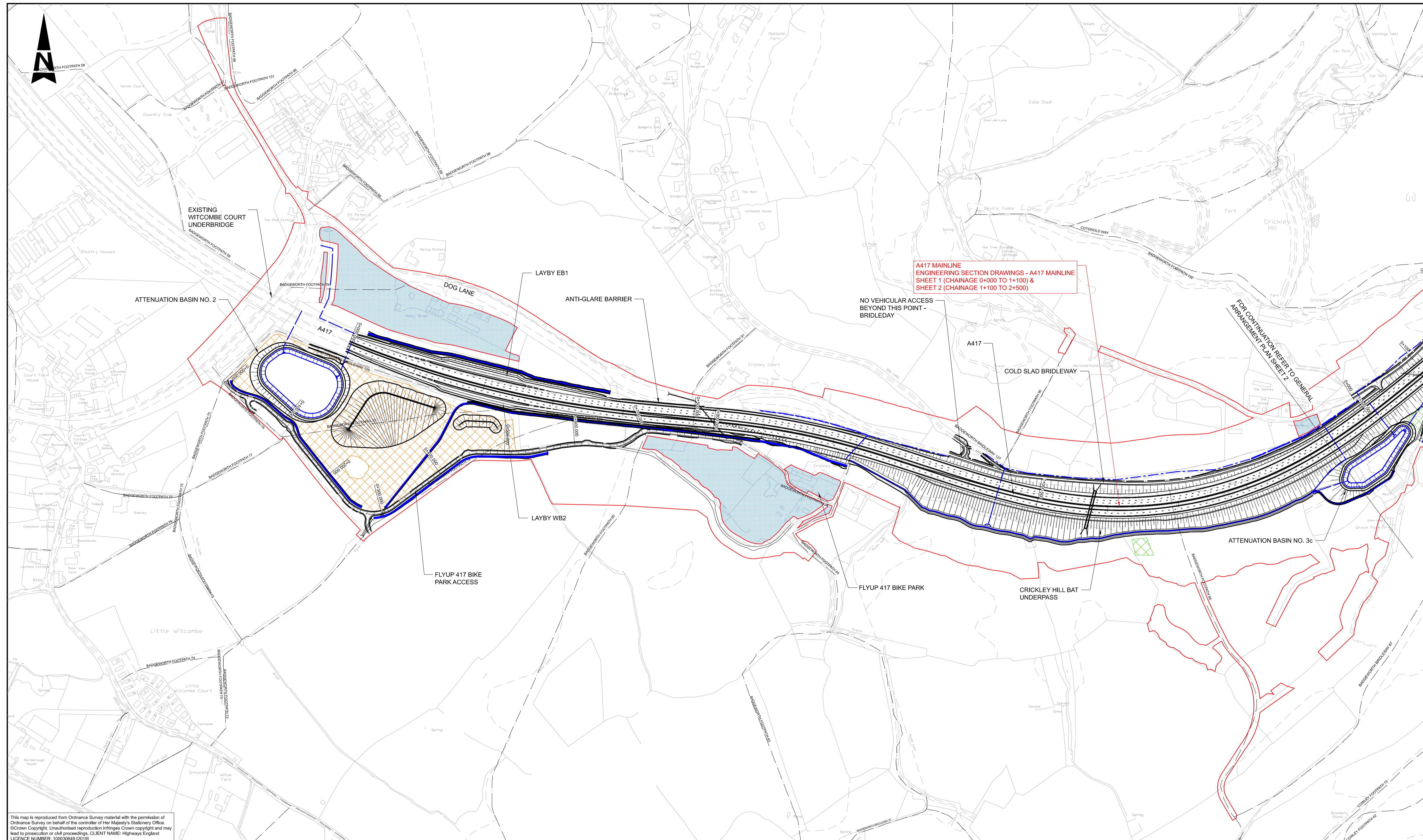
Project Title
A417 MISSING LINK

Drawing Title
GENERAL ARRANGEMENT KEY PLAN
APFP REGULATIONS 5(2)(O)
APPLICATION NUMBER: TR010056

Scale	By	Checked	Approved	Authorised
1:10000	ES	DA	DB	JP
Original Size	Date	Date	Date	Date
A1	10/02/22	10/02/22	10/02/22	10/02/22



Drawing Number	HE PIN	Originator	Volume	Revision
HE551505 - ARP	HE551505	ARP	LSI	C03
X_XX_XXXX_X	Location	-DR-ZL-	100000	Number

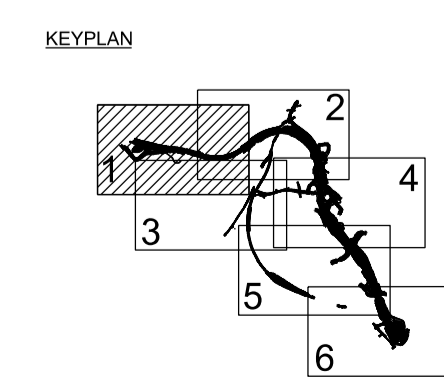


This map is reproduced from Ordnance Survey material with the permission of Ordnance Survey on behalf of the controller of Her Majesty's Stationery Office. © Crown Copyright. Unauthorised reproduction infringes Crown copyright and may lead to prosecution or civil proceedings. CLIENT NAME: Highways England LICENCE NUMBER: 100030649 (2019)

LEGEND	
	DEVELOPMENT CONSENT ORDER BOUNDARY
	PROPOSED HIGHWAY DRAINAGE
	EXISTING PUBLIC RIGHT OF WAY (BRIDLEWAY, FOOTPATH, RESTRICTED BYWAY)
	PROPOSED WATERCOURSE DIVERSION/OVERLAND FLOW DITCH
	PROPOSED CULVERT
	EXISTING CULVERT
	DRAINAGE BASINS
	AREA NOT INCLUDED WITHIN ORDER LIMITS
	PROPOSED HIGHWAY DESIGN
	CONSTRUCTION COMPOUND
	SATELLITE COMPOUND
	U41440 UNCLASSIFIED ROAD REFERENCE NUMBER

NOTES

- ALL DIMENSIONS ARE IN METRES UNLESS NOTED OTHERWISE.
- ONLY WRITTEN DIMENSIONS SHALL BE USED.



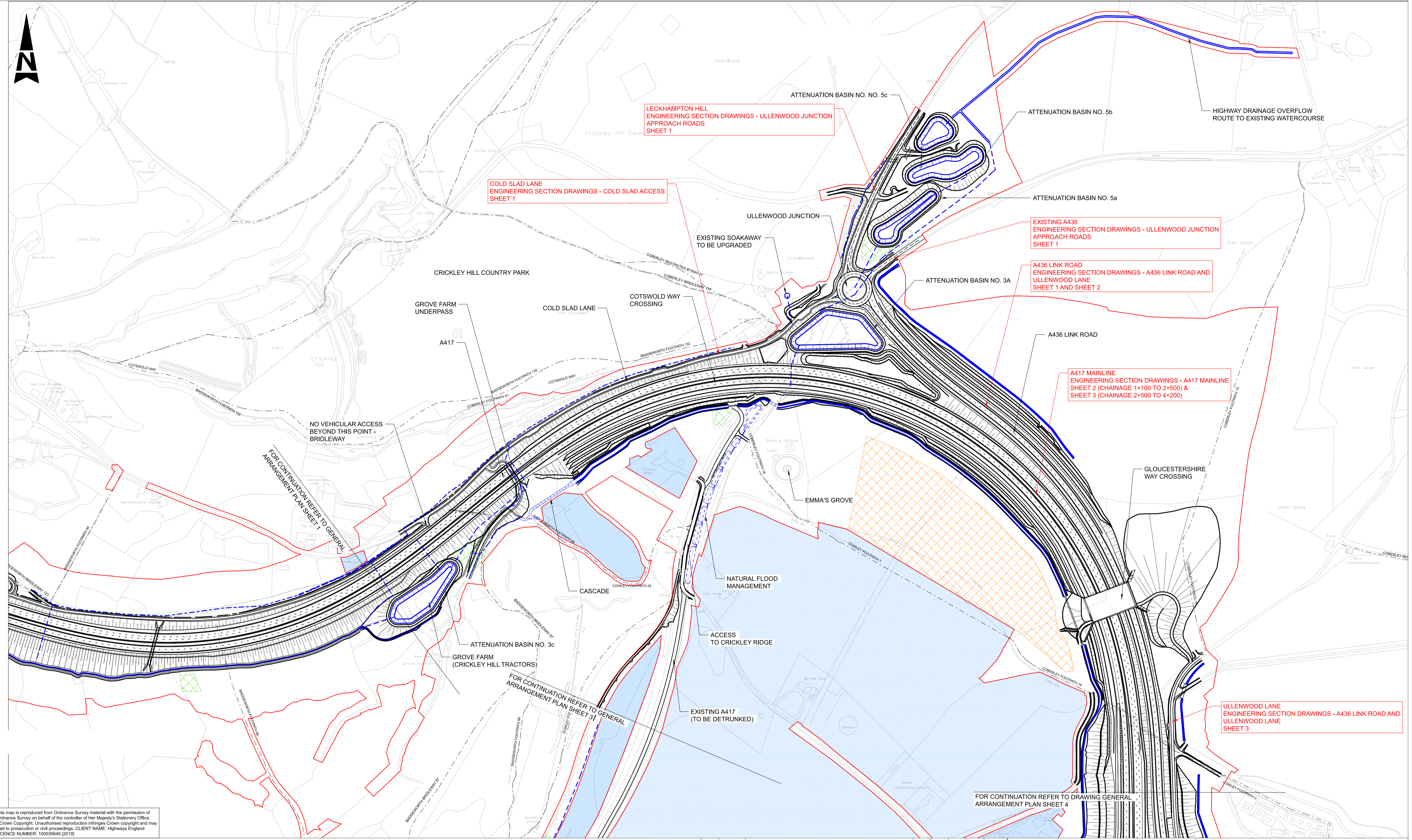
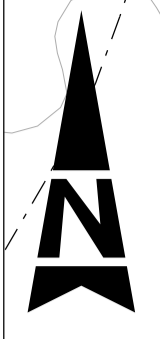
Rev.	Date	Description	By	Chk'd	App'd	Auth'd
C02	10/02/22	DEADLINE 4 ISSUE TO PINS	ES	DA	DB	JP

Suitability **A4** Drawing Status **STAGE COMPLETED**



Project Title **A417 MISSING LINK**

Drawing Title					
GENERAL ARRANGEMENT PLANS APFP REGULATIONS 5(2)(O) SHEET 1 OF 6 APPLICATION NUMBER: TR010056					
Scale	By	Checked	Approved	Authorised	
1:2500	ES	DA	DB	JP	
Original Size	Date	Date	Date	Date	Date
A1	10/02/22	10/02/22	10/02/22	10/02/22	10/02/22
Drawing Number	HE PIN	Originator	Volume	Revision	
HE551505 - ARP	HE551505 - ARP	LSI	LSI	C02	
x_XX_XXXX_X	-DR - ZL - 100001				
Location	Type	Role	Number		



LECKHAMPTON HILL
ENGINEERING SECTION DRAWINGS - ULLENWOOD JUNCTION
APPROACH ROADS
SHEET 1

COLD SLAD LANE
ENGINEERING SECTION DRAWINGS - COLD SLAD ACCESS
SHEET 1

EXISTING A436
ENGINEERING SECTION DRAWINGS - ULLENWOOD JUNCTION
APPROACH ROADS
SHEET 1

A436 LINK ROAD
ENGINEERING SECTION DRAWINGS - A436 LINK ROAD AND
ULLENWOOD LANE
SHEET 1 AND SHEET 2

A417 MAINLINE
ENGINEERING SECTION DRAWINGS - A417 MAINLINE
SHEET 2 (CHAINAGE 1+100 TO 2+500) &
SHEET 3 (CHAINAGE 2+500 TO 4+200)

ULLENWOOD LANE
ENGINEERING SECTION DRAWINGS - A436 LINK ROAD AND
ULLENWOOD LANE
SHEET 3

FOR CONTINUATION REFER TO GENERAL
ARRANGEMENT PLAN SHEET 1

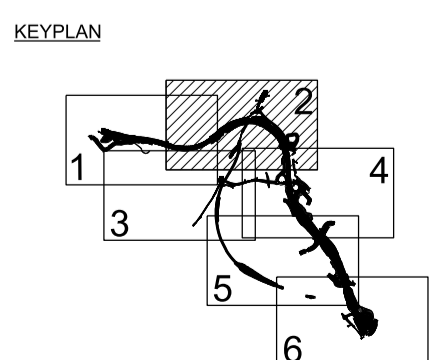
FOR CONTINUATION REFER TO GENERAL
ARRANGEMENT PLAN SHEET 3

FOR CONTINUATION REFER TO DRAWING GENERAL
ARRANGEMENT PLAN SHEET 4

This map is reproduced from Ordnance Survey material with the permission of Ordnance Survey on behalf of the controller of Her Majesty's Stationery Office. © Crown Copyright. Unauthorised reproduction infringes Crown copyright and may lead to prosecution or civil proceedings. CLIENT NAME: Highways England LICENCE NUMBER: 100030649 (2019)

LEGEND	
	DEVELOPMENT CONSENT ORDER BOUNDARY
	PROPOSED HIGHWAY DRAINAGE
	EXISTING PUBLIC RIGHT OF WAY (BRIDLEWAY, FOOTPATH, RESTRICTED BYWAY)
	PROPOSED WATERCOURSE DIVERSION/OVERLAND FLOW DITCH
	PROPOSED CULVERT
	EXISTING CULVERT
	DRAINAGE BASINS
	AREA NOT INCLUDED WITHIN ORDER LIMITS
	PROPOSED HIGHWAY DESIGN
	CONSTRUCTION COMPOUND
	SATELLITE COMPOUND
	UNCLASSIFIED ROAD REFERENCE NUMBER

NOTES
1. ALL DIMENSIONS ARE IN METRES UNLESS NOTED OTHERWISE.
2. ONLY WRITTEN DIMENSIONS SHALL BE USED.



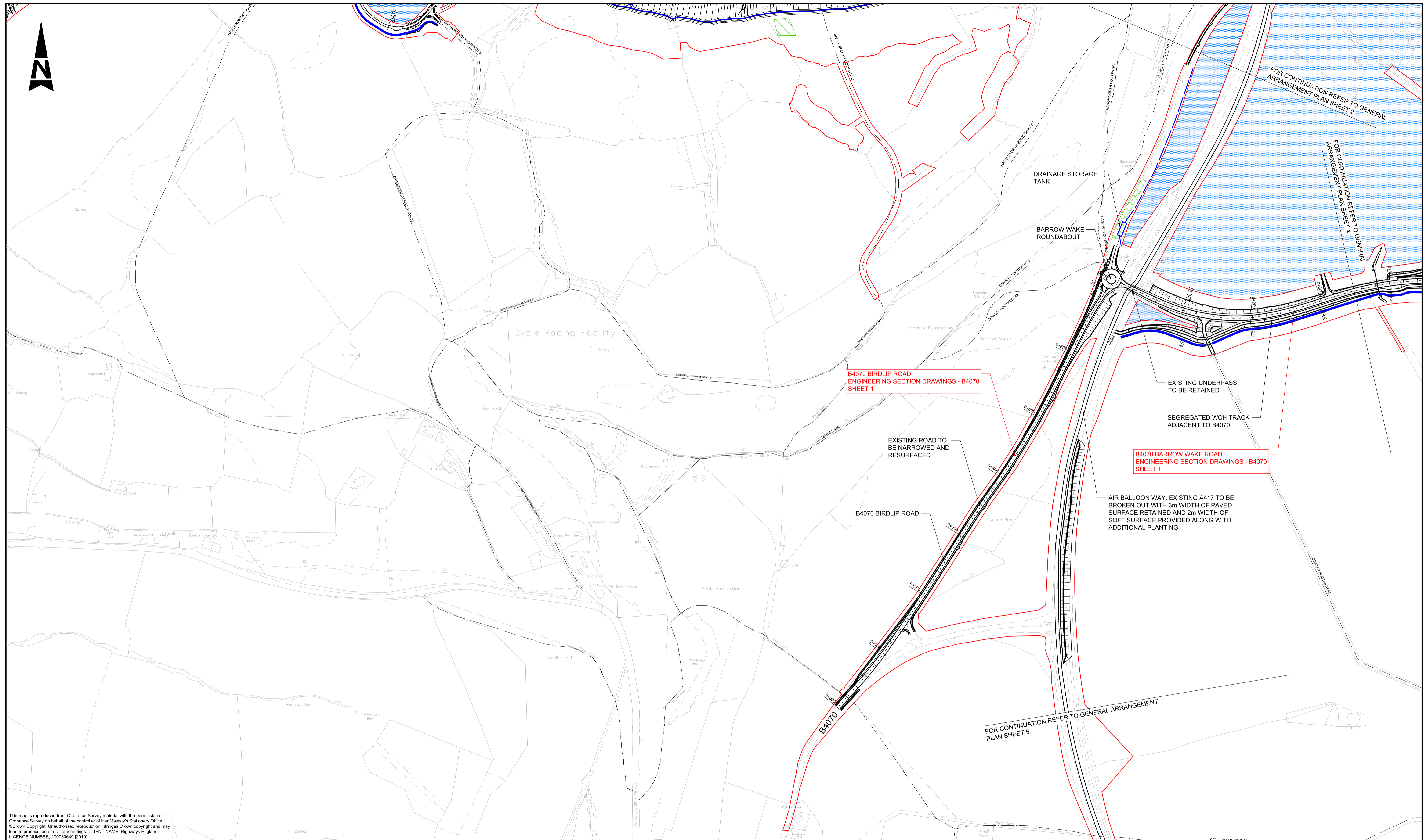
Rev.	Date	Description	By	Chk'd	App'd	Auth'd
C02	11/02/22	DEADLINE 4 ISSUE TO PINS	ES	DA	DB	RP

Suitability Drawing Status
A4 STAGE COMPLETED

Client
highways england

Project Title
A417 MISSING LINK

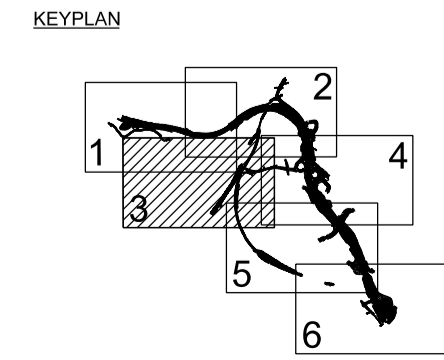
Drawing Title						
GENERAL ARRANGEMENT PLANS APFP REGULATIONS 5(2)(O) SHEET 2 OF 6 APPLICATION NUMBER: TR010056						
Scale	By	Checked	Approved	Authorised		
1:2500	ES	DA	DB	RP		
Original Size	Date	Date	Date	Date		
A1	11/02/22	11/02/22	11/02/22	11/02/22		
Drawing Number	Originator	Volume				
HE551505 - ARP	LSI	C02				
Location	Type	Role	Number			
X_XX_XXXX_X	-DR	-ZL	-100002			



This map is reproduced from Ordnance Survey material with the permission of Ordnance Survey on behalf of the controller of Her Majesty's Stationery Office. © Crown Copyright. Unauthorised reproduction infringes Crown copyright and may lead to prosecution or civil proceedings. CLIENT NAME: Highways England LICENCE NUMBER: 100030649 (2019)

LEGEND	
	DEVELOPMENT CONSENT ORDER BOUNDARY
	PROPOSED HIGHWAY DRAINAGE
	EXISTING PUBLIC RIGHT OF WAY (BRIDLEWAY, FOOTPATH, RESTRICTED BYWAY)
	PROPOSED WATERCOURSE DIVERSION/OVERLAND FLOW DITCH
	PROPOSED CULVERT
	EXISTING CULVERT
	DRAINAGE BASINS
	AREA NOT INCLUDED WITHIN ORDER LIMITS
	PROPOSED HIGHWAY DESIGN
	CONSTRUCTION COMPOUND
	SATELLITE COMPOUND
U41440	UNCLASSIFIED ROAD REFERENCE NUMBER

- NOTES
- ALL DIMENSIONS ARE IN METRES UNLESS NOTED OTHERWISE.
 - ONLY WRITTEN DIMENSIONS SHALL BE USED.



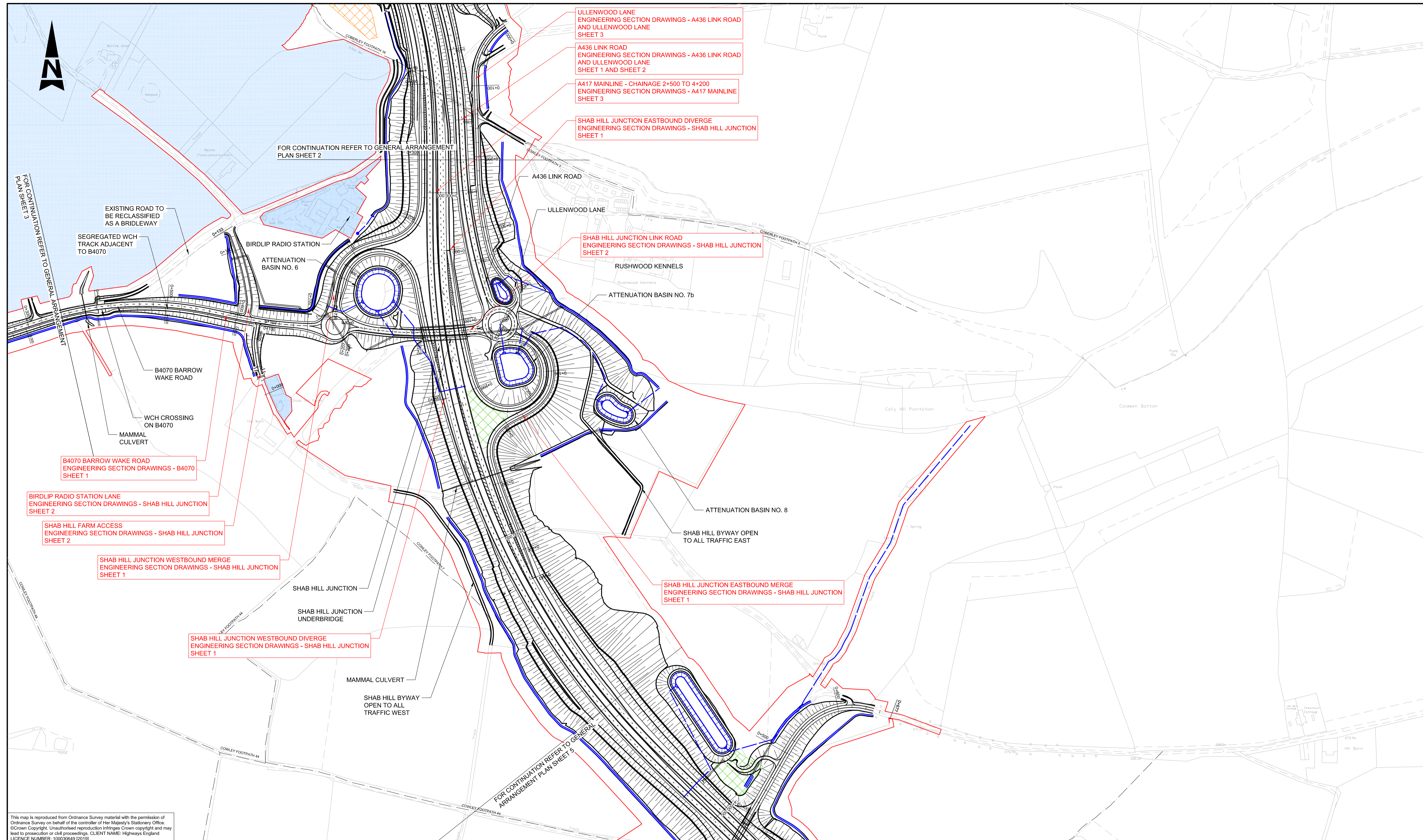
Rev.	Date	Description	By	Chk'd	App'd	Auth'd
C01	24/05/21	APPLICATION SUBMISSION (MAY 2021)	JF	DA	JP	YB

Suitability: **A3** | Drawing Status: **STAGE COMPLETED**

Client:

Project Title: **A417 MISSING LINK**

Drawing Title					
GENERAL ARRANGEMENT PLANS APFP REGULATIONS 5(2)(O) SHEET 3 OF 6 APPLICATION NUMBER: TR010056					
Scale	By	Checked	Approved	Authorised	
1:2500	JF	DA	JP	YB	
Original Size	Date	Date	Date	Date	
A1	20/05/21	20/05/21	22/05/21	24/05/21	
Drawing Number	HE PIN	Originator	Volume	Revision	
HE551505 - ARP	-	LSI	-	C01	
X_XX_XXXX_X	-DR-ZL-	100003			
Location	Type	Role	Number		

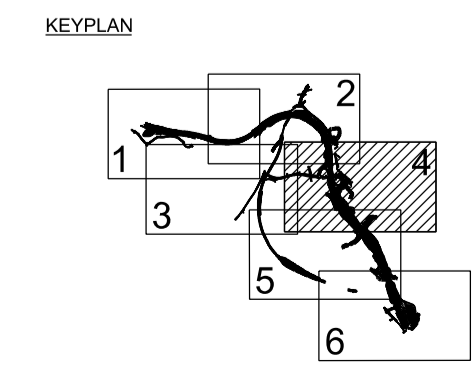


This map is reproduced from Ordnance Survey material with the permission of Ordnance Survey on behalf of the controller of Her Majesty's Stationery Office. © Crown Copyright. Unauthorised reproduction infringes Crown copyright and may lead to prosecution or civil proceedings. CLIENT NAME: Highways England LICENCE NUMBER: 100030649 (2019)

LEGEND	
	DEVELOPMENT CONSENT ORDER BOUNDARY
	PROPOSED HIGHWAY DRAINAGE
	EXISTING PUBLIC RIGHT OF WAY (BRIDLEWAY, FOOTPATH, RESTRICTED BYWAY)
	PROPOSED WATERCOURSE DIVERSION/OVERLAND FLOW DITCH
	PROPOSED CULVERT
	EXISTING CULVERT
	DRAINAGE BASINS
	AREA NOT INCLUDED WITHIN ORDER LIMITS
	PROPOSED HIGHWAY DESIGN
	CONSTRUCTION COMPOUND
	SATELLITE COMPOUND
	U41440 UNCLASSIFIED ROAD REFERENCE NUMBER

NOTES

- ALL DIMENSIONS ARE IN METRES UNLESS NOTED OTHERWISE.
- ONLY WRITTEN DIMENSIONS SHALL BE USED.

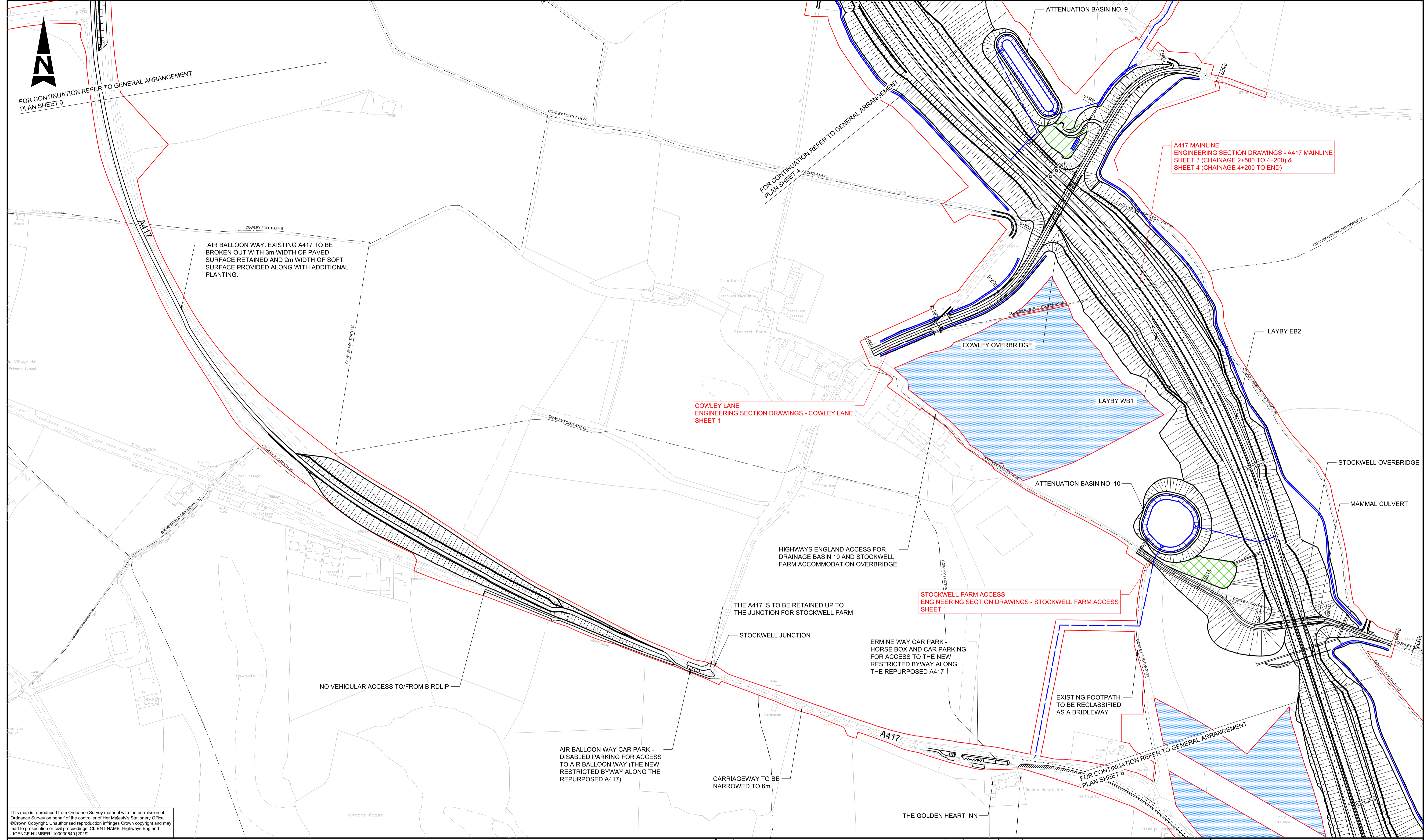


Rev.	Date	Description	By	Chk'd	App'd	Auth'd
C01	24/05/21	APPLICATION SUBMISSION (MAY 2021)	JF	DA	JP	YB

Suitability: **A3** | Drawing Status: **STAGE COMPLETED**

Client:

Project Title: A417 MISSING LINK					
Drawing Title: GENERAL ARRANGEMENT PLANS APFP REGULATIONS 5(2)(O) SHEET 4 OF 6 APPLICATION NUMBER: TR010056					
Scale: 1:2500	By: JF	Checked: DA	Approved: JP	Authorised: YB	
Original Size: A1	Date: 20/05/21	Date: 20/05/21	Date: 22/05/21	Date: 24/05/21	Date: 24/05/21
Drawing Number: HE551505 - X_XX_XXXX_X	Originator: ARP	Volume: LSI	Revision: C01		Number: -DR - ZL - 100004
Location	Type	Role	Number		

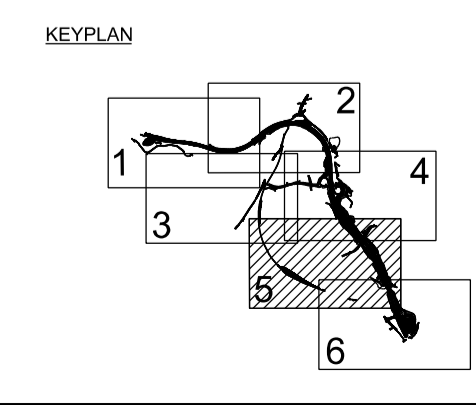


This map is reproduced from Ordnance Survey material with the permission of Ordnance Survey on behalf of the controller of Her Majesty's Stationery Office. © Crown Copyright. Unauthorised reproduction infringes Crown copyright and may lead to prosecution or civil proceedings. CLIENT NAME: Highways England LICENCE NUMBER: 100030649 (2019)

LEGEND	
	DEVELOPMENT CONSENT ORDER BOUNDARY
	PROPOSED HIGHWAY DRAINAGE
	EXISTING PUBLIC RIGHT OF WAY (BRIDLEWAY, FOOTPATH, RESTRICTED BYWAY)
	PROPOSED WATERCOURSE DIVERSION/OVERLAND FLOW DITCH
	PROPOSED CULVERT
	EXISTING CULVERT
	DRAINAGE BASINS
	AREA NOT INCLUDED WITHIN ORDER LIMITS
	PROPOSED HIGHWAY DESIGN
	CONSTRUCTION COMPOUND
	SATELLITE COMPOUND
	U41440 UNCLASSIFIED ROAD REFERENCE NUMBER

NOTES

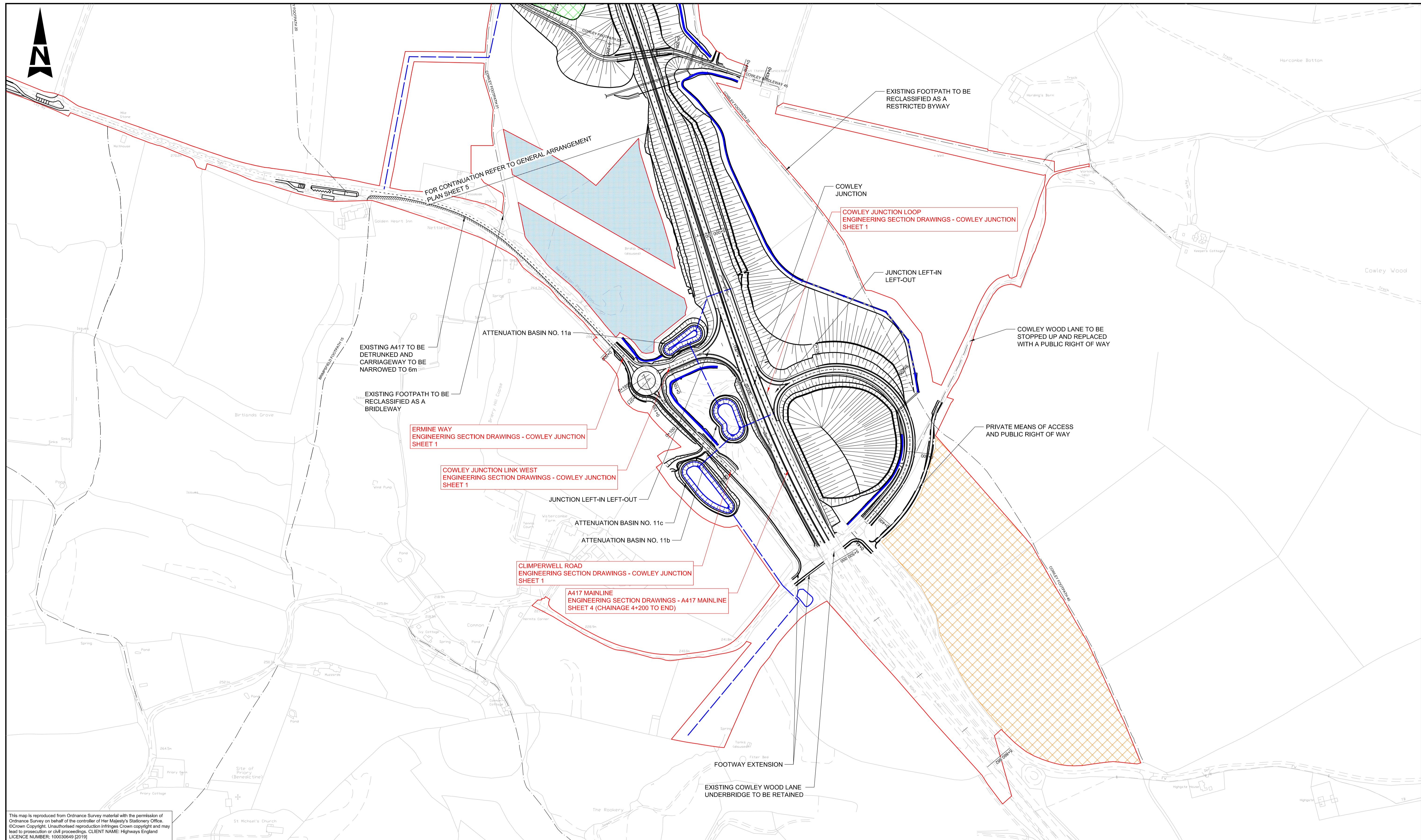
- ALL DIMENSIONS ARE IN METRES UNLESS NOTED OTHERWISE.
- ONLY WRITTEN DIMENSIONS SHALL BE USED.



Rev.	Date	Description	By	Chk'd	App'd	Auth'd
C01	24/05/21	APPLICATION SUBMISSION (MAY 2021)	JF	DA	JP	YB

Suitability	A3	Drawing Status	STAGE COMPLETED
Client			

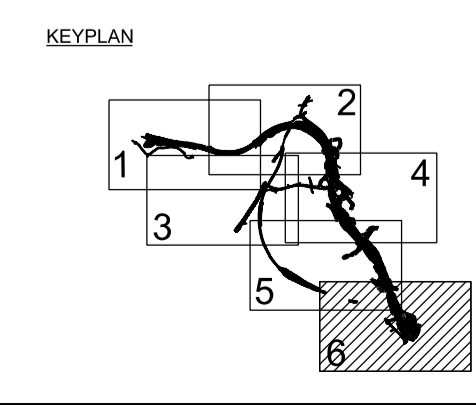
Project Title						A417 MISSING LINK					
Drawing Title						GENERAL ARRANGEMENT PLANS APFP REGULATIONS 5(2)(O) SHEET 5 OF 6 APPLICATION NUMBER: TR010056					
Scale	1:2500	By	JF	Checked	DA	Approved	JP	Authorised	YB		
Original Size	A1	Date	20/05/21	Date	20/05/21	Date	22/05/21	Date	24/05/21		
Drawing Number	HE PIN	Originator	ARP	Volume	LSI	HE551505 - ARP - LSI		X_XX_XXXX_X -DR-ZL-100005		C01	
Location		Type		Role		Number					



This map is reproduced from Ordnance Survey material with the permission of Ordnance Survey on behalf of the controller of Her Majesty's Stationery Office. © Crown Copyright. Unauthorised reproduction infringes Crown copyright and may lead to prosecution or civil proceedings. CLIENT NAME: Highways England LICENCE NUMBER: 100030649 (2019)

LEGEND	
	DEVELOPMENT CONSENT ORDER BOUNDARY
	PROPOSED HIGHWAY DRAINAGE
	EXISTING PUBLIC RIGHT OF WAY (BRIDLEWAY, FOOTPATH, RESTRICTED BYWAY)
	PROPOSED WATERCOURSE DIVERSION/OVERLAND FLOW DITCH
	PROPOSED CULVERT
	EXISTING CULVERT
	DRAINAGE BASINS
	AREA NOT INCLUDED WITHIN ORDER LIMITS
	PROPOSED HIGHWAY DESIGN
	CONSTRUCTION COMPOUND
	SATELLITE COMPOUND
	U41440 UNCLASSIFIED ROAD REFERENCE NUMBER

NOTES	
1.	ALL DIMENSIONS ARE IN METRES UNLESS NOTED OTHERWISE.
2.	ONLY WRITTEN DIMENSIONS SHALL BE USED.



Rev.	Date	Description	By	Chk'd	App'd	Auth'd
C01	24/05/21	APPLICATION SUBMISSION (MAY 2021)	JF	DA	JP	YB

Suitability	Drawing Status
A3	STAGE COMPLETED
Client	

Project Title						A417 MISSING LINK					
Drawing Title						GENERAL ARRANGEMENT PLANS APFP REGULATIONS 5(2)(O) SHEET 6 OF 6 APPLICATION NUMBER: TR010056					
Scale	By	Checked	Approved	Authorised		1:2500	JF	DA	JP	YB	
Original Size	Date	Date	Date	Date		A1	20/05/21	20/05/21	22/05/21	24/05/21	
Drawing Number	HE PIN	Originator	Volume			HE551505 - ARP	- LSI				C01
	X_XX_XXXX_X	-DR - ZL	-100006								
	Location	Type	Role	Number							